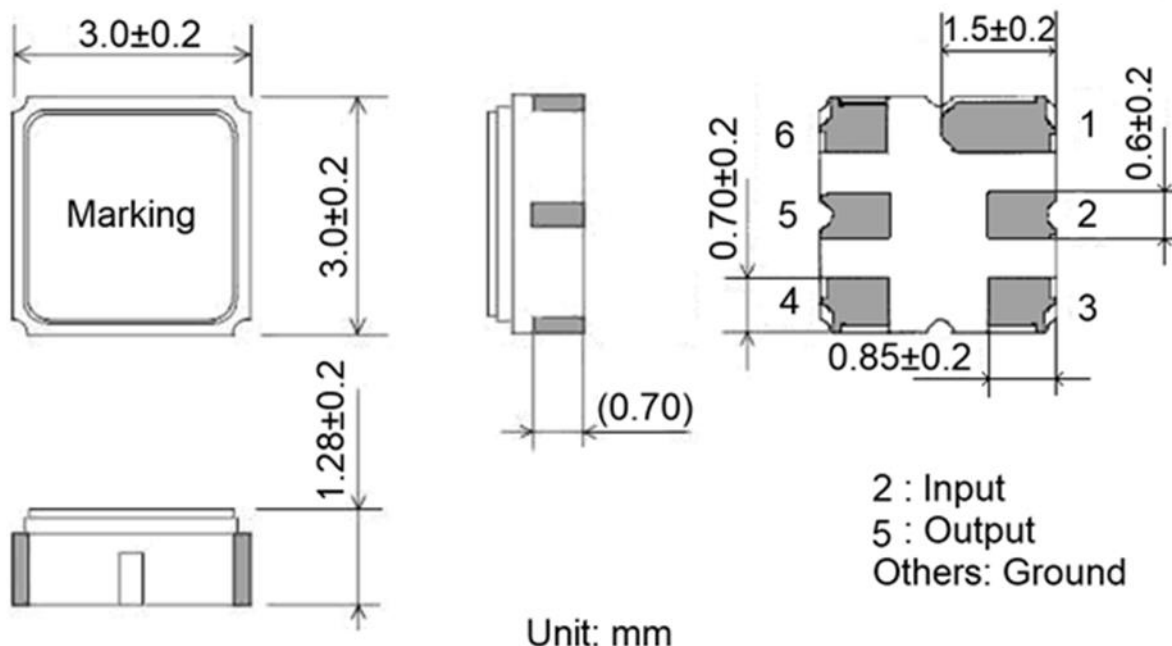


### AUTOMOTIVE GRADE RSFA-433.920-720-3030-TR

Parameters	Value	Unit
Center Frequency (fo)	433.920	MHz
3 dB Bandwidth	720 ± 70	kHz
Insertion Attenuation, typ/max	2.4 / 3.0	dB
Relative Attenuation, min / typ	10.00 MHz ~ 414.00 MHz	-45 / -58
	414.00 MHz ~ 423.50 MHz	-45 / -53
	423.50 MHz ~ 431.52 MHz	-32 / -40
	431.52 MHz ~ 432.90 MHz	-18 / -24
	432.90 MHz ~ 433.10 MHz	-15 / -24
	434.92 MHz ~ 444.00 MHz	-12 / -19
	444.00 MHz ~ 500.00 MHz	-42 / -50
	500.00 MHz ~ 810.00 MHz	-48 / -54
810.00 MHz ~ 2500.00 MHz	-45 / -60	dB
DC Voltage, max	10	VDC
Input Power, max	10	dBm
Operating Temperature Range	-40 ~ +105	°C
Storage Temperature Range	-40 ~ +105	°C

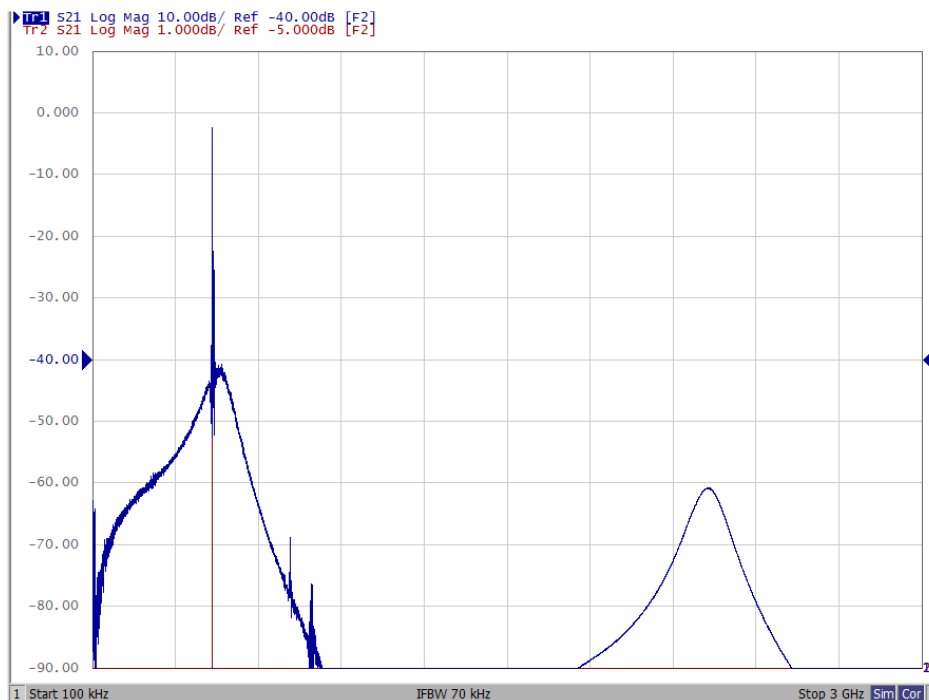
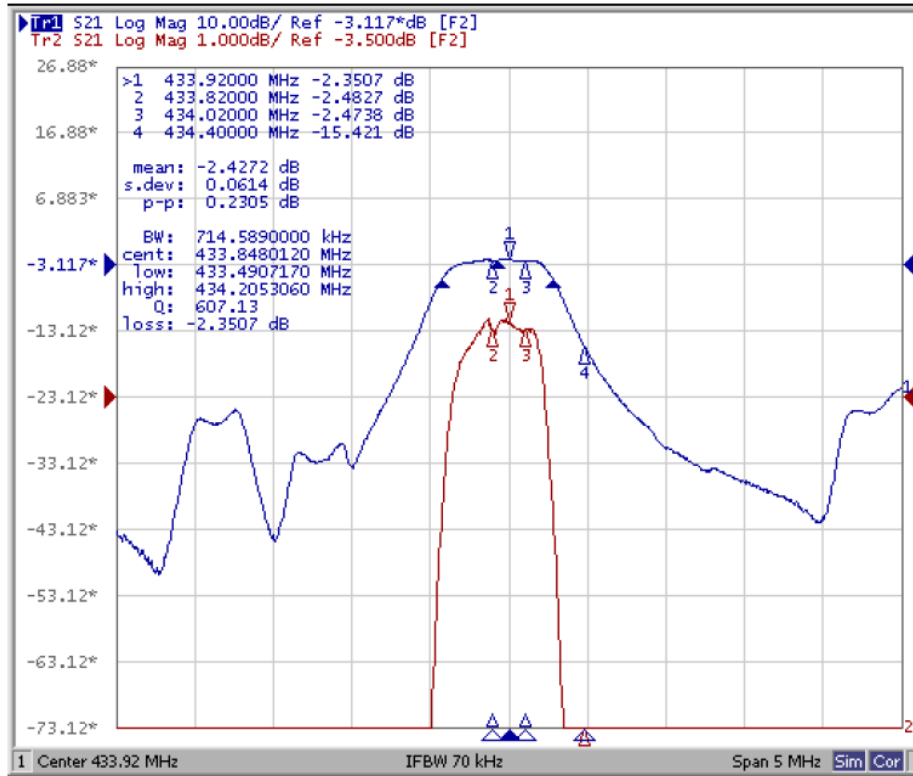
Note: Parameters at 25°C

### Dimension



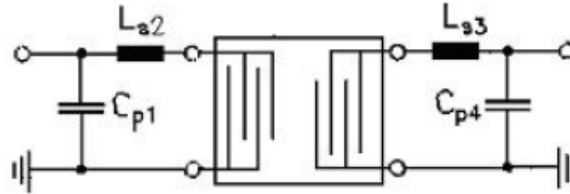
### AUTOMOTIVE GRADE RSFA-433.920-720-3030-TR

#### Frequency Characteristics



### AUTOMOTIVE GRADE RSFA-433.920-720-3030-TR

#### Matching Network

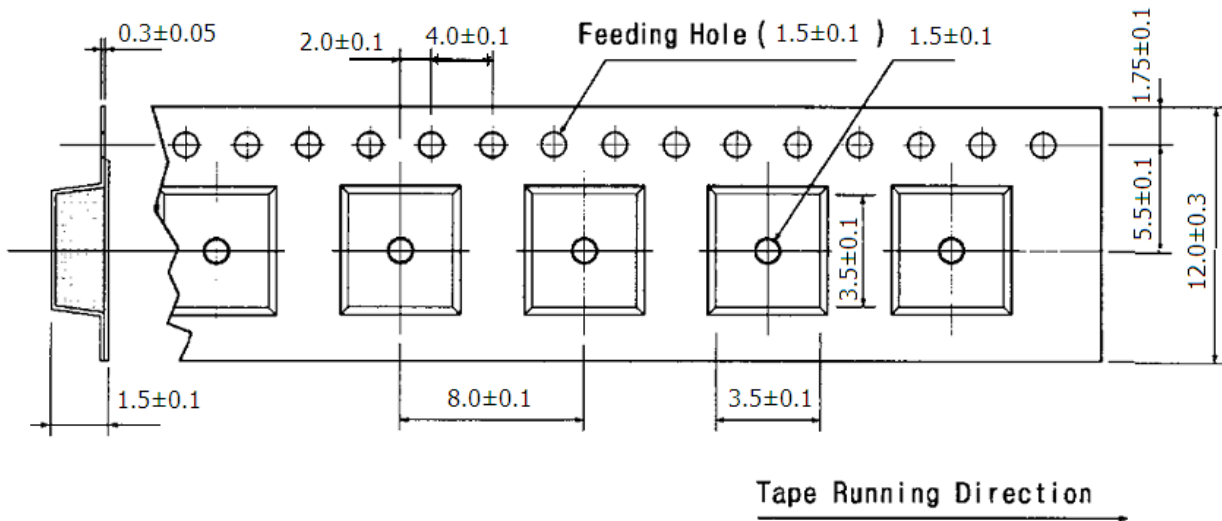


$$L_{s2} = 33 \text{ nH} ; \quad L_{s3} = 33 \text{ nH}$$

#### Environmental

PARAMETER	VALUE
MOISTURE SENSITIVITY LEVEL	1
REACH – SVHC	Compliant
RoHS	Compliant

#### Tape Dimension



#### APPROVAL

DRAWN BY	AR, January 30, 2023
APPROVED BY	CP, January 30, 2023
REVISION	A, Initial Release



Raltron Electronics / RAMI Technology USA, LLC, including its affiliates, employees, agents and other persons acting on its behalf (collectively Raltron/RAMI Tech), disclaim any and all liability for any errors or inaccuracies contained in this data sheet. While Raltron/RAMI Tech has made every reasonable effort ensure the accuracy of all product information, specifications and data contained herein, Raltron/RAMI Tech does not guarantee that the information is accurate, reliable or current. The product information is provided only for reference purposes only and is subject to change, correction or revision, at any time without notice. Raltron/RAMI Tech does not assume any liability arising out of an application or use of any product described herein and disclaims any warranties expressed or implied. The user of products in such applications shall assume all risks of such use and will agree to hold Raltron/RAMI Tech, harmless against all damages.

Copyright © 2016, Raltron Electronics / RAMI Technology USA, LLC. All rights reserved. No part of this document may be reproduced in any form without the prior written permission of Raltron Electronics / RAMI Technology USA, LLC.