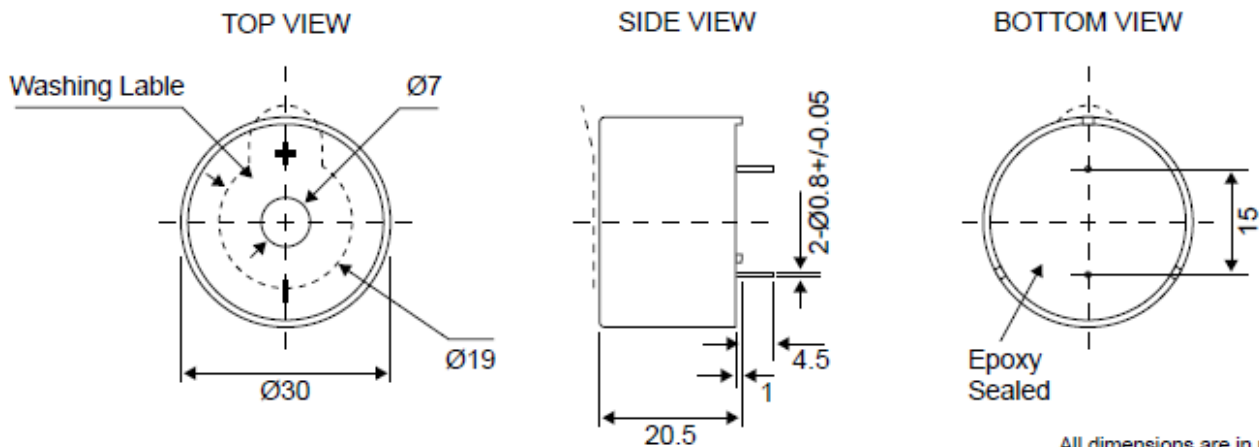




Electrical Specifications

PARAMETERS		VALUE	UNIT
Resonant Frequency		3500 ±500	Hz
Operating Voltage		3 ~ 24	V
Rated Voltage		12	V
Rated Current, max		12	mA
Sound Output, min	@ 30 cm	95	dBA
Tone Nature		Single	-
Heat Test	@ Must Be Normal, 24h	+85 ±3	°C
Cold Test	@ Must Be Normal, 24h	-40 ±3	°C
Operating Temperature Range		-30 ~ +70	°C
Storage Temperature Range		-40 ~ +85	°C
Terminal		Pin	
Housing Material /Color		PBT / Black	-
Weight		8 ±8%	g

Dimension



All dimensions are in mm
Unspecified Tolerance are +/-0.50mm

Unit: mm



A **RAMI TECHNOLOGY** Company

PIEZO BUZZER

Page 2 of 2

RBE-3.500-3020-NS1

- **APPROVAL**

DRAWN BY	AR, January 09, 2024
APPROVED BY	CP, January 09, 2024
REVISION	A, Initial Release

Raltron Electronics / RAMI Technology USA, LLC, including its affiliates, employees, agents and other persons acting on its behalf (collectively Raltron/RAMI Tech), disclaim any and all liability for any errors or inaccuracies contained in this data sheet. While Raltron/RAMI Tech has made every reasonable effort ensure the accuracy of all product information, specifications and data contained herein, Raltron/RAMI Tech does not guarantee that the information is accurate, reliable or current. The product information is provided only for reference purposes only and is subject to change, correction or revision, at any time without notice. Raltron/RAMI Tech does not assume any liability arising out of an application or use of any product described herein and disclaims any warranties expressed or implied. The user of products in such applications shall assume all risks of such use and will agree to hold Raltron/RAMI Tech, harmless against all damages.

Copyright © 2016, Raltron Electronics / RAMI Technology USA, LLC. All rights reserved. No part of this document may be reproduced in any form without the prior written permission of Raltron Electronics / RAMI Technology USA, LLC.