

IP67



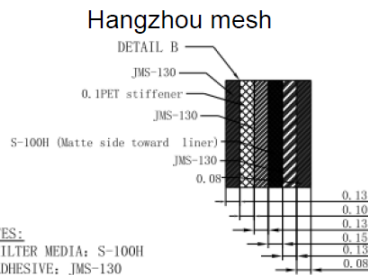
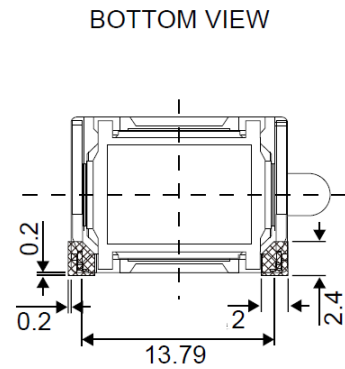
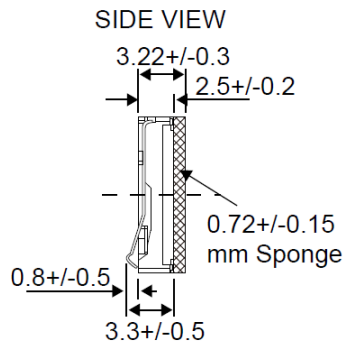
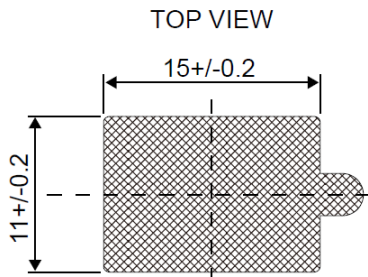
General Description

15x11x3.25mm Mobile Speaker

ELECTRICAL SPECIFICATIONS

Parameters			Value	Unit
Resonant Frequency (Fo)	@ 2.83V in 1cc box		1000 ±20%	Hz
Frequency Response			Fo ~ 20	kHz
Rated Input Power, max	@ In 1cc box		1.0	W
Input Power, max	@ In 1cc box		1.2	W
Dimension			15 x 11 ±0.2	mm
Height			3.3 ±0.5	mm
Output S.P.L.	@ Testing in 1cc box at 1W / 0.1m ave. 0.8, 1.0, 1.5, 2.0kHz		93±3	dB
	@ Testing in 1cc box at 1W / 1m ave. 0.8, 1.0, 1.5, 2.0kHz		72±3	dB
Impedance			8 ±15%	Ω
Operating Temperature Range			-20~ +70	°C
Storage Temperature Range			-40 ~ +85	°C
Case Material			Plastic -PPA	-
Magnet			Internal Magnet - NdFeB	-
Weight			1.5±0.3	g
Reliability	Buzz & Rattle	Must be normal at sine wav in in 1cc box], 200 ~ 2kHz]	2.87	V
	Load Test	Must be normal, white noise, 24hours	1.0	W
	Heat Test	Must be normal, 24hours	+85±3	°C
	Cold Test	Must be normal, 24hours	-40±3	°C
	Humidity Test	+40±3°C. for 24h	92 ~ 95	%
IP Rating			IP67	-

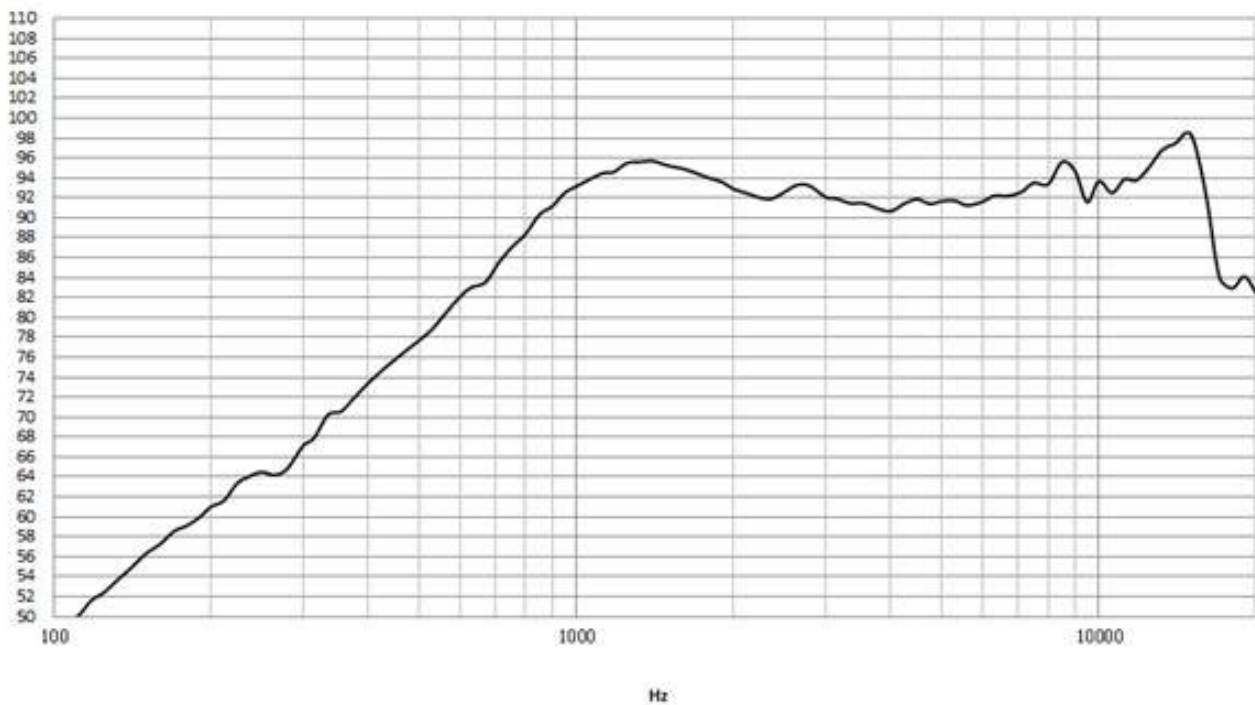
Dimensions



- NOTES:
 1. FILTER MEDIA: S-100H
 2. ADHESIVE: JMS-130
 3. OPERATING TEMPERATURE: -40°C-80°C

All dimensions are in mm
 Unspecified Tolerance are +/-0.2mm

Frequency Characteristics



APPROVAL

DRAWN BY	AR, November 26, 2023
APPROVED BY	CP, November 26, 2023
REVISION	A, Initial Release
	B, AR, Novembner 29, 2023 Updated Frequency Characteristics



Raltron Electronics / RAMI Technology USA, LLC, including its affiliates, employees, agents and other persons acting on its behalf (collectively Raltron/RAMI Tech), disclaim any and all liability for any errors or inaccuracies contained in this data sheet. While Raltron/RAMI Tech has made every reasonable effort ensure the accuracy of all product information, specifications and data contained herein, Raltron/RAMI Tech does not guarantee that the information is accurate, reliable or current. The product information is provided only for reference purposes only and is subject to change, correction or revision, at any time without notice. Raltron/RAMI Tech does not assume any liability arising out of an application or use of any product described herein and disclaims any warranties expressed or implied. The user of products in such applications shall assume all risks of such use and will agree to hold Raltron/RAMI Tech, harmless against all damages.

Copyright © 2016, Raltron Electronics / RAMI Technology USA, LLC. All rights reserved. No part of this document may be reproduced in any form without the prior written permission of Raltron Electronics / RAMI Technology USA, LLC.