

General Description

38mm x 13mm Mobile Speaker



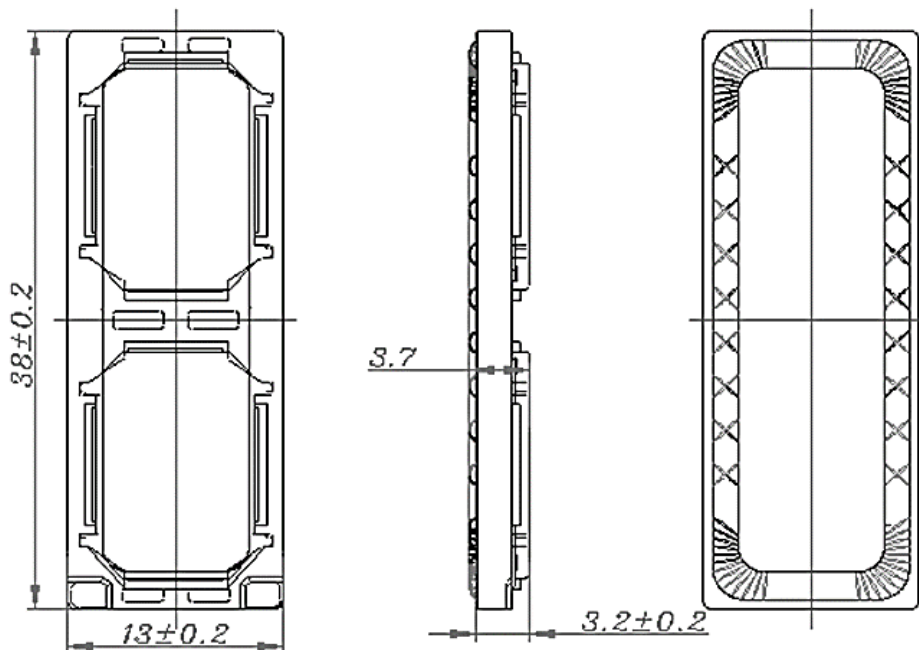
IP67



Electrical Specifications

Parameters		Value	Unit
Resonant Frequency (Fo)	@ 4cc box	550 ±20%	Hz
Rated Power, max	@ 4cc box	2.0	W
Input Power, max	@ 4cc box (for 1 minute)	2.5	W
Total Harmonic Distortion, max	@ 1kHz in 4cc box	10	%
Frequency Range		Fo ~ 10	kHz
Sound Output	@ 0.1m, 2.0W, at 2.0kHz in 4cc box	95±3	dB
Rated Impedance		4 ±20%	Ω
Storage Temperature Range		-30 ~ +70	°C
Reliability	Buzz & Rattle Should not be audible sine wave between 300Hz ~ 10000Hz in 4cc box.	2.83	V

Dimensions



Tolerance: ±0.5mm Except Specified

Unit: mm

APPROVAL

DRAWN BY	AR, April 17, 2024
APPROVED BY	CP, April 17, 2024
REVISION	A, Initial Release



Raltron Electronics / RAMI Technology USA, LLC, including its affiliates, employees, agents and other persons acting on its behalf (collectively Raltron/RAMI Tech), disclaim any and all liability for any errors or inaccuracies contained in this data sheet. While Raltron/RAMI Tech has made every reasonable effort ensure the accuracy of all product information, specifications and data contained herein, Raltron/RAMI Tech does not guarantee that the information is accurate, reliable or current. The product information is provided only for reference purposes only and is subject to change, correction or revision, at any time without notice. Raltron/RAMI Tech does not assume any liability arising out of an application or use of any product described herein and disclaims any warranties expressed or implied. The user of products in such applications shall assume all risks of such use and will agree to hold Raltron/RAMI Tech, harmless against all damages.
Copyright © 2016, Raltron Electronics / RAMI Technology USA, LLC. All rights reserved. No part of this document may be reproduced in any form without the prior written permission of Raltron Electronics / RAMI Technology USA, LLC